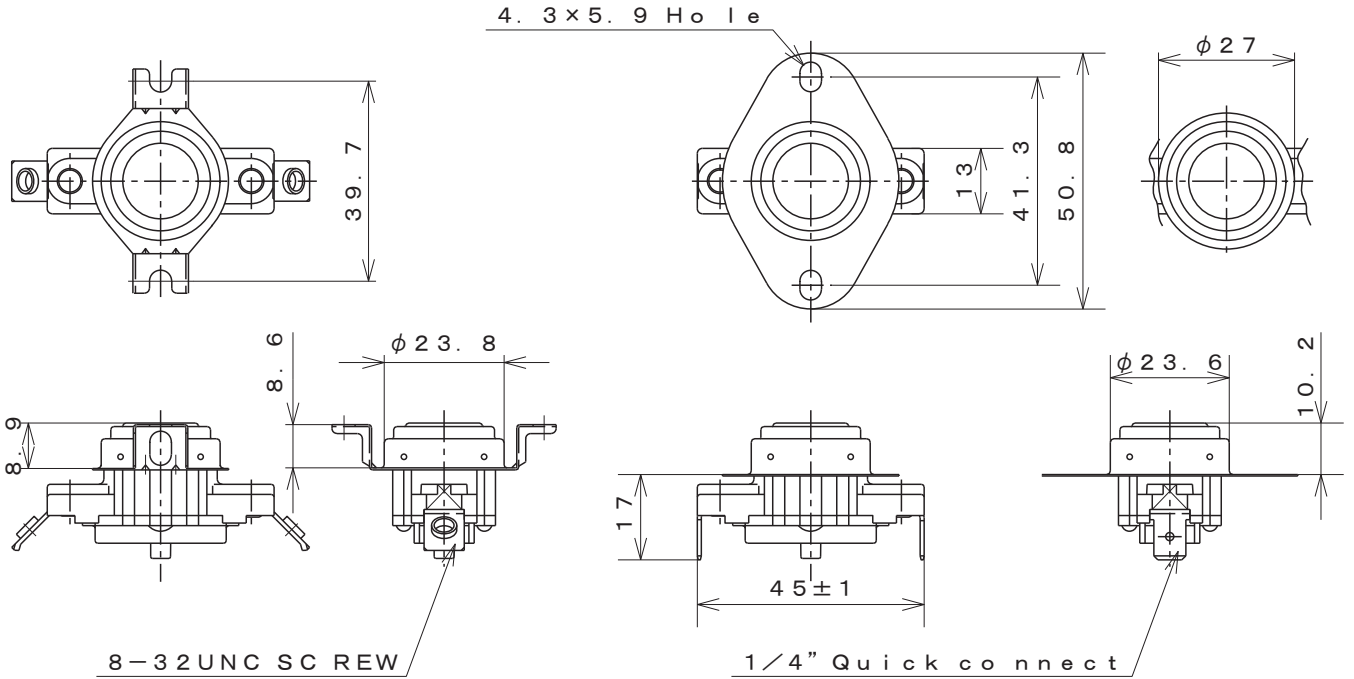




3/4" Disc Type Thermostat
Manual Reset

Type **43M**

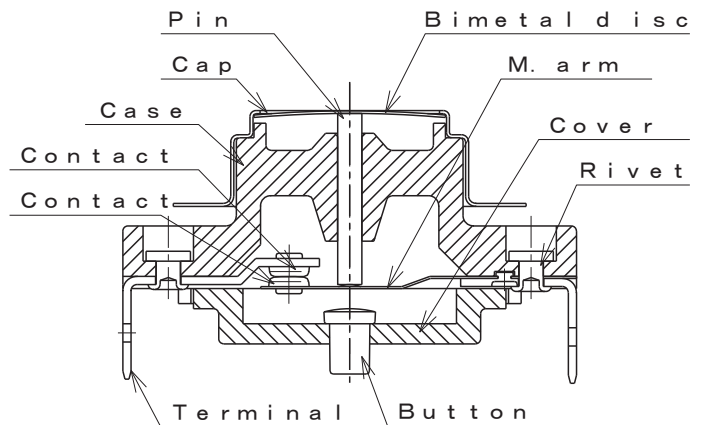
Dimensions



Materials of parts

Part	Material
Cap	Stainless steel
Case, Cover	Phenolic resin
M.arm	Beryllium Copper alloy
Terminals	Brass
Rivets	Steel
Contacts	Silver-Nickel alloy
Button	PPS

Structure



Specification

Item	Specification
1. Basic features	SPST Manual reset
2. Operation	L : Contacts open on temperature rise
3. Electrical rating	AC250V/25A
4. Calibration method	Hot & cold air circulation system
5. Temperature rating	Operating temperature Max. 150°C
6. Insulation resistance	Not less than 1,000MΩ/DC500V
7. Dielectric strength	Not less than AC2,000V/2sec.